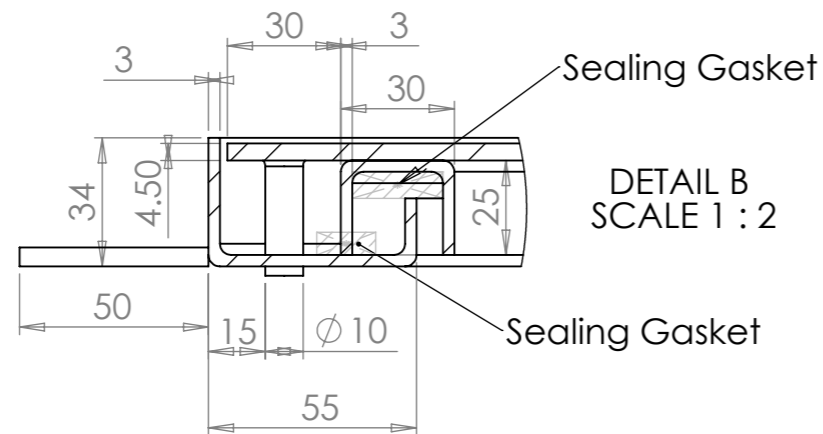
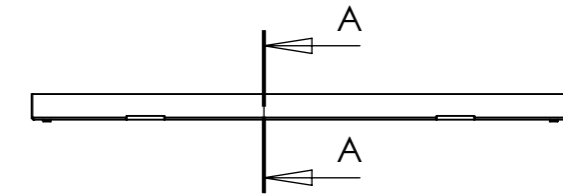
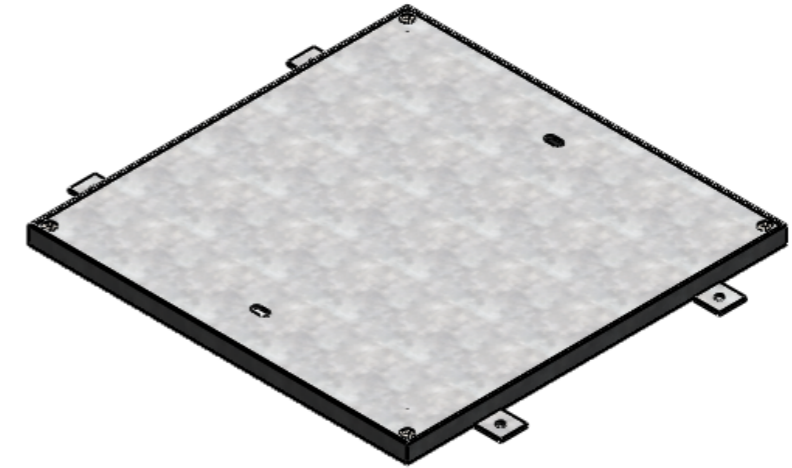
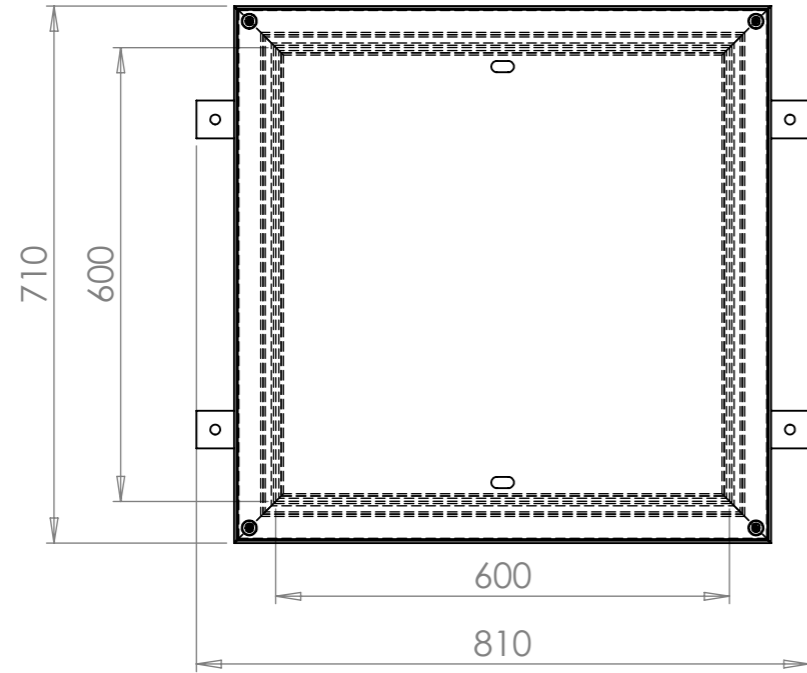


DWG. NO. DU271C

DWG REF



Customer:

A3

Description: Durey DRS&Locked Range Cover & Frame



Drawn By:

Checked By:

Scale:

Name

Date

Material:

Mild Steel

Finish:

Galvanised Steel

Loading:

FACTA

Weight(kg):

28.27

1:10