

Openreach Carriageway Frame & Cover Installation Material Checklist

This checklist offers recommendations and guidance on the materials and equipment required to install carriageway frames and covers utilising the Install Plus frame levelling and installation system. It is recommended that this checklist should be read in accordance with the relevant sections of Openreach document **LN 550 SPECIFICATION FOR UNDERGROUND DUCT LAYING AND ASSOCIATED WORKS** and Durey Castings Limited product catalogue.

Notes for guidance

The recommended amount of bedding material assumes typical conditions and is based on the use of a timber shuttering system to ensure the most efficient use of materials.

- A minimum flowable cementitious mortar depth of 15mm below the frame
- Enveloping above the frame flange to a depth of 20mm
- To an area 50mm beyond the outermost edge of the frame flange



Note: On uneven surfaces an internal seal of the shuttering is recommended to prevent the leaking of the flowable material. The seal material must conform to HA104 as indicated in the Openreach specification. As an alternative to shuttering a bund is permissible and again the material must conform to HA104.

If structural repairs to damaged brick or concrete chambers are deemed necessary, the method and materials used to carry out the repair must conform to the Openreach specification.

Tools for mixing and application of installation materials

Mechanical mixer

Generator

Gorilla tubs

Trowel's

Water for cleaning down equipment



Tools for ironwork handling & installation

Openreach specified mechanical/hydraulic lifter

Straight edge or level

2x lifting keys

19mm socket or spanner to rotate Install Plus frame levelling bolts

Timber shuttering to dimensions specified in the diagrams below



Optional Materials

Class A or B solid engineering bricks

Wearing Course /Asphalt

Seal and tack coat

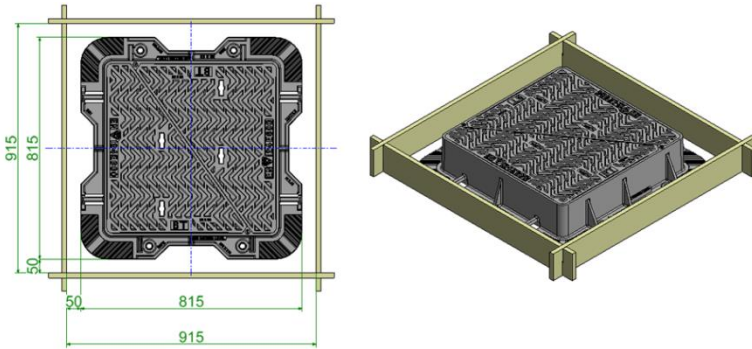
Over-banding (Dependant on Local Authority approval)



Openreach Carriageway Frame & Cover Installation Material Checklist

The material volume detailed below are based on the use of the timber shuttering method of installation.

Carriageway 1 (Cw1)



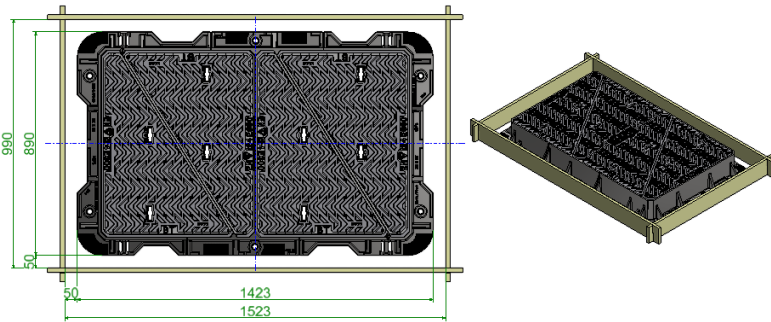
Bedding of frame

Internal Edge Dam = 0.5 x 18kg tub

Flowable mortar = 4 x 18kg bags



Carriageway 2 (Cw2)

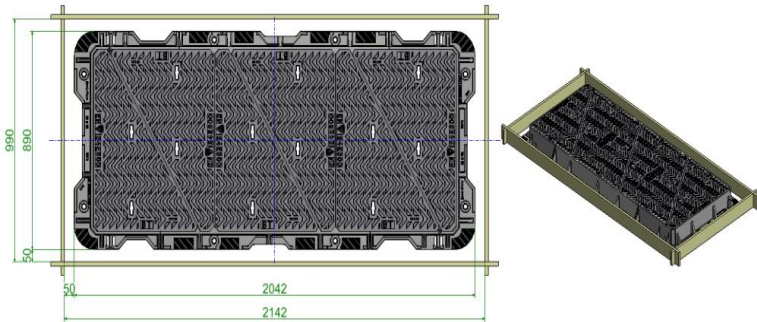


Bedding of frame

Internal Edge Dam = 1 x 18kg tub

Flowable mortar = 5 x 18kg bags

Carriageway 3 (Cw3)

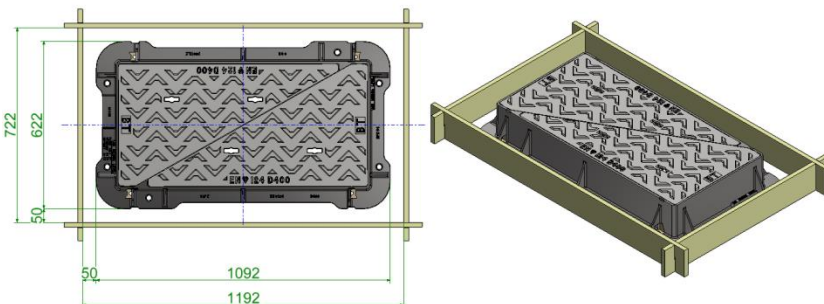


Bedding of frame

Internal Edge Dam = 1.5 x 18kg tubs

Flowable mortar = 5 x 18kg bags

Carriageway 4 (Cw4)



Bedding of frame

Internal Edge Dam = .5 x 18kg tub

Flowable mortar = 4 x 18kg bags

All MORTARS, ANCILLARIES and INSTALPLUS AVAILABLE FROM STOCK AT DUREY CASTINGS LIMITED. 01322 272424

Openreach Carriageway Frame & Cover Installation Material Checklist

E&OE

For further information contact Durey Castings Limited.

Tel: 01322 272424

Fax: 01322 288073

sales@dureycastings.co.uk

www.dureycastings.co.uk