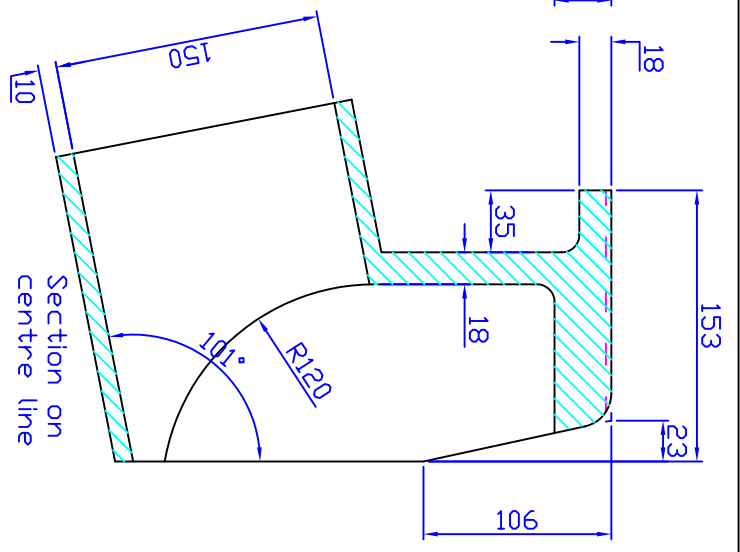
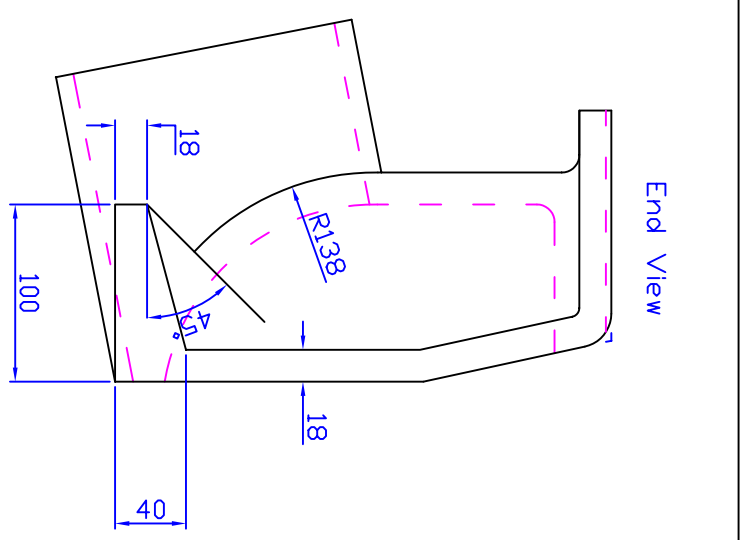


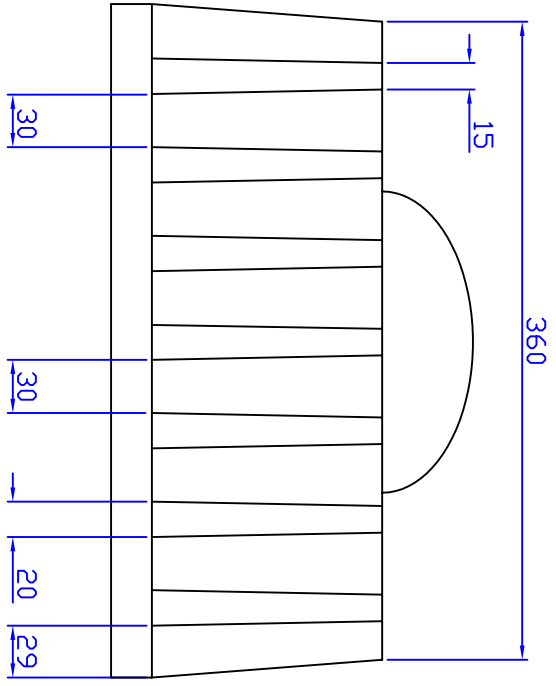
Front View



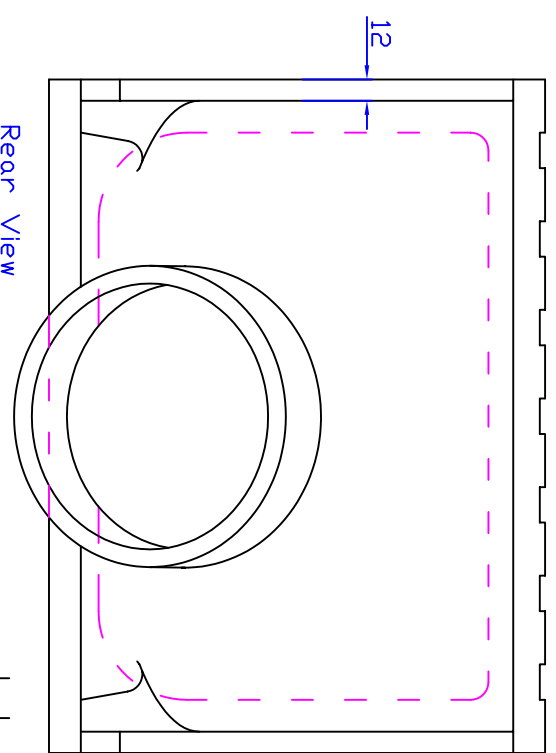
Section on centre line



End View

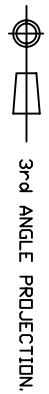


Top View



Rear View

GENERAL NOTES,  
UNSPECIFIED RADII TO BE R2  
DRAFT ANGLES TO BE 2.5°  
ALL DIMENSIONS IN MILLIMETRES



3rd ANGLE PROJECTION

Rev.	Details	Date	Name
<b>Durey Castings Ltd</b>			
Drawn by: RNB/AY		Date: June 08	Scale: DNS
Title: Kerb Offset - DU204			
Drawing No: KO - DU204		Rev.	